

Soft Gel Tumble Dryer

TD8 Model



Soft Gel Tumble Dryer

TD 8 Model

Technophar's tumble dryers are offered as a standalone unit or in combination with our encapsulation machines. The **TD8 model** is UL or CE certified, with FDA-approved material contact parts, and fulfills cGMP standards of the pharmaceutical industry. Variable speed, high-frequency blower, automatic capsule transfer, built-in gentle heating, and more production parameters are set using a Programmable Logic Controller with a touchscreen. Light-weight baskets allow for quick changeovers, easy clean-up, and inspection.

Features

- Anodized aluminum frame and stainless-steel covers with number 4 finish for fast, thorough cleaning.
- Variable basket speeds (up to 80 RPM), completely adjusted through the operator's panel.
- Maximum basket load - 12 kg.
- High-capacity frequency drive blower unit.
- Built-in heating allows for gentle heating of specific products.
- Light-weight baskets with stainless steel perforated plate allow for quick changeovers, easy clean-up and inspection.
- Lightweight, simple to install, clear Lexan covers.
- Lighted motor housing service area.
- Quick change filter access doors.
- Easy lubrication from the side of the machine.
- Smooth surface in all areas for complete cleaning.

Mechanism

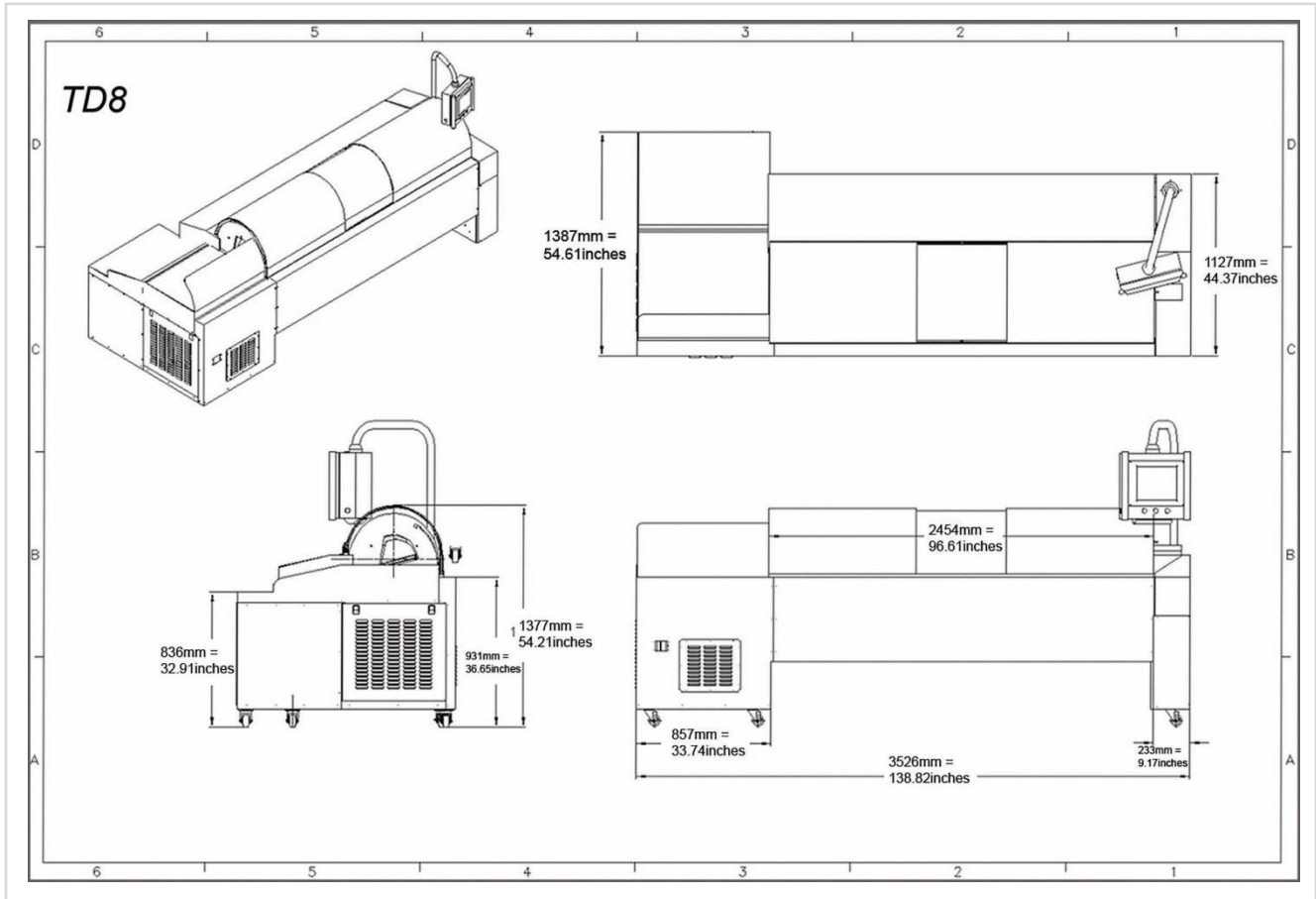
Highlights

- PLC is incorporated within the standalone unit.
- One variable speed direct drive electrical motor rotates the baskets.
- Programmable drying and capsule transfer time.
- Pneumatic actuated doors allow capsules to be transferred throughout the tumbler. and be discharged at the end of the drying cycle.

Soft Gel Tumble Dryer

TD 8 Model

Specifications



Model No.	
TD8	Soft Gel Tumble Dryer
Specifications	
Compressed Air	8 Bar
Machine TD Electrical Power	12KVA without heaters
Dimensions (mm/inches)	3526mmW x 1387mmD x 1377mmH (mm) = 138.82" W x 54.61" D x 54.21" (inches)
Weight	1200kg (2646lbs)

TECHNOPHAR

Technophar Global Headquarters

www.technophar.com

Copyright Technophar ©2021

2023-01-31 rev.