

Soft Gel Tumble Dryer

TD8 Model



Soft Gel Tumble Dryer

TD 8 Model

Technophar's tumble dryers are offered as a standalone unit or in combination with our encapsulation machines. The TD8 model is UL or CE certified, with FDA approved material contact parts and fulfills cGMP standards of the pharmaceutical industry. Variable speed, high frequency blower, automatic capsules transfer, built in gentle heating, and more production parameters are set using a Programmable Logic Controller with touchscreen. Light-weight baskets allow for quick changeovers, easy clean up, and inspection.

Features

- Anodized aluminum frame and stainless-steel covers with number 4 finish for fast, thorough cleaning.
- Variable basket speeds (up to 80 RPM), completely adjusted through the operator's panel.
- Maximum basket load - 12 kg.
- High-capacity frequency drive blower unit.
- Built-in heating allows for gentle heating of specific products.
- Light-weight baskets with stainless steel perforated plate allow for quick changeovers, easy clean-up and inspection.
- Lightweight, simple to install, clear Lexan covers.
- Lighted motor housing service area.
- Quick-change filter access doors.
- Easy lubrication from the side of the machine.
- Smooth surface in all areas for complete cleaning.

Mechanism

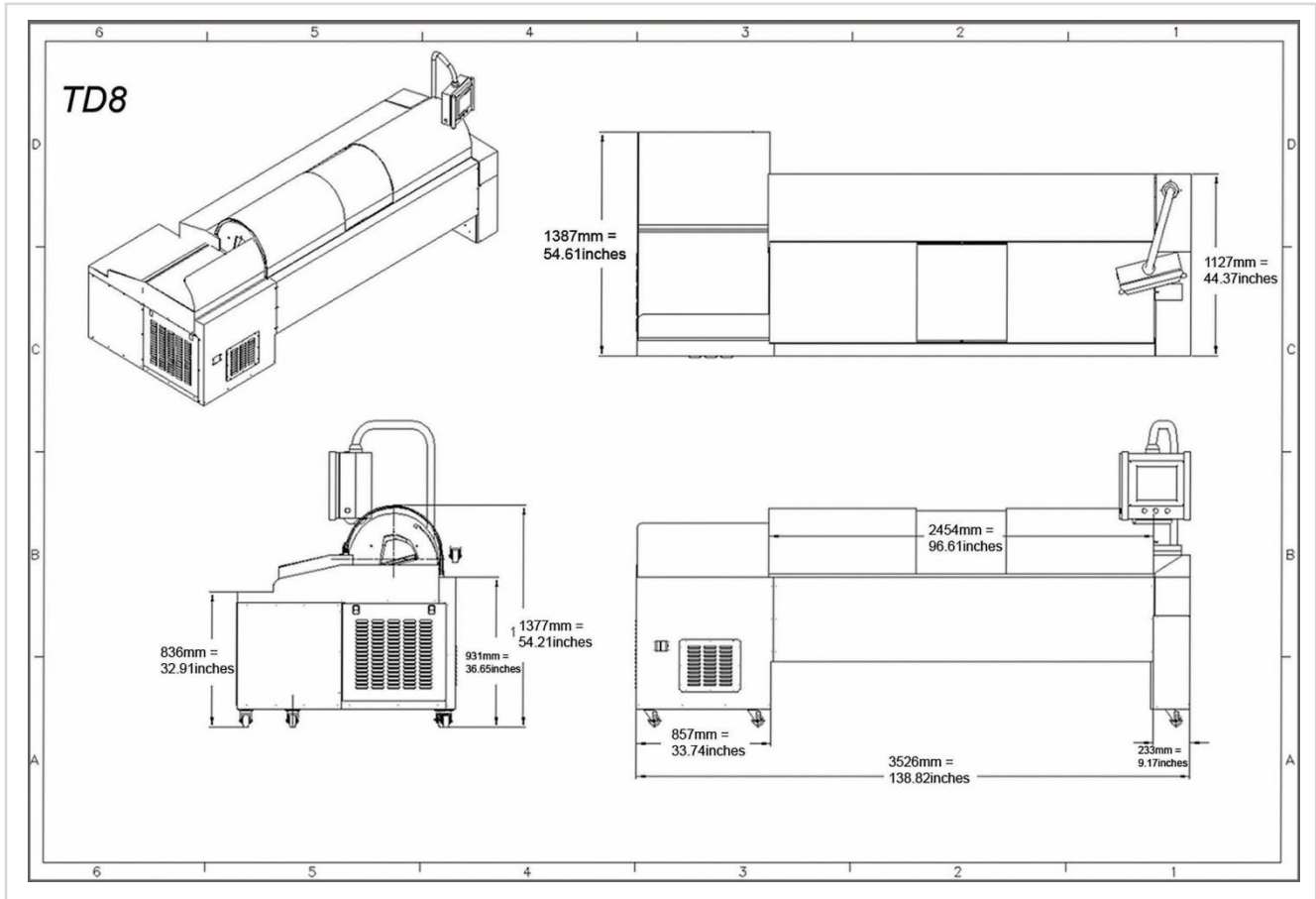
Highlights

- PLC is incorporated within the standalone unit.
- One variable speed direct drive electrical motor rotates the baskets.
- Programmable drying and capsule transfer time.
- Pneumatic actuated doors allow capsules to be transferred throughout the tumbler. and be discharged at the end of the drying cycle.

Soft Gel Tumble Dryer

TD 8 Model

Specifications



Model No.	
TD8	Soft Gel Tumble Dryer
Specifications	
Compressed Air	8 Bar
Machine TD Electrical Power	12KVA without heaters
Dimensions (mm/inches)	3526mmW x 1387mmD x 1377mmH (mm) = 138.82" W x 54.61" D x 54.21" (inches)

TECHNOPHAR

Technophar Global Headquarters

www.technophar.com

Copyright Technophar ©2021

2022-01-13 rev.